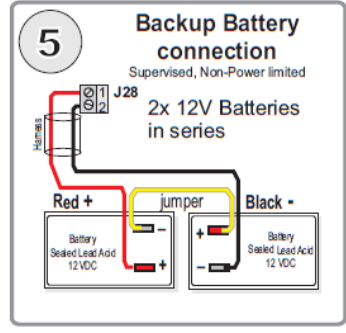
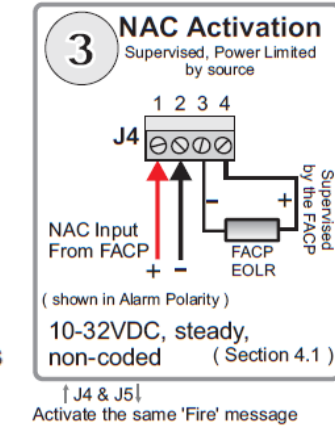
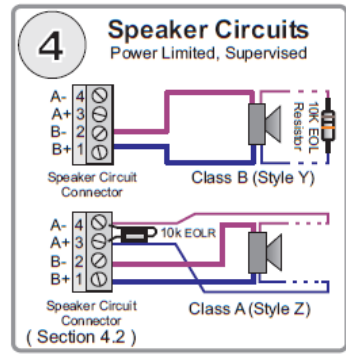
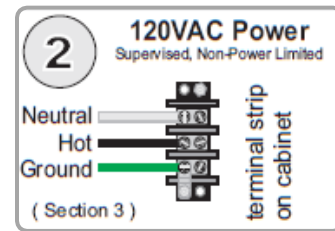
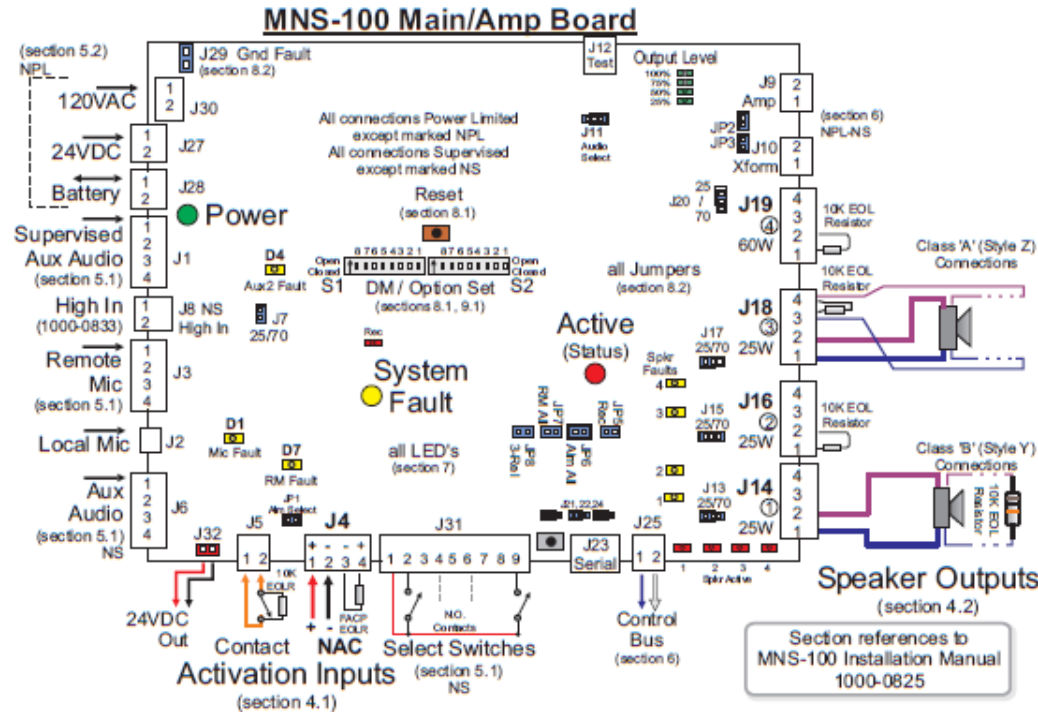
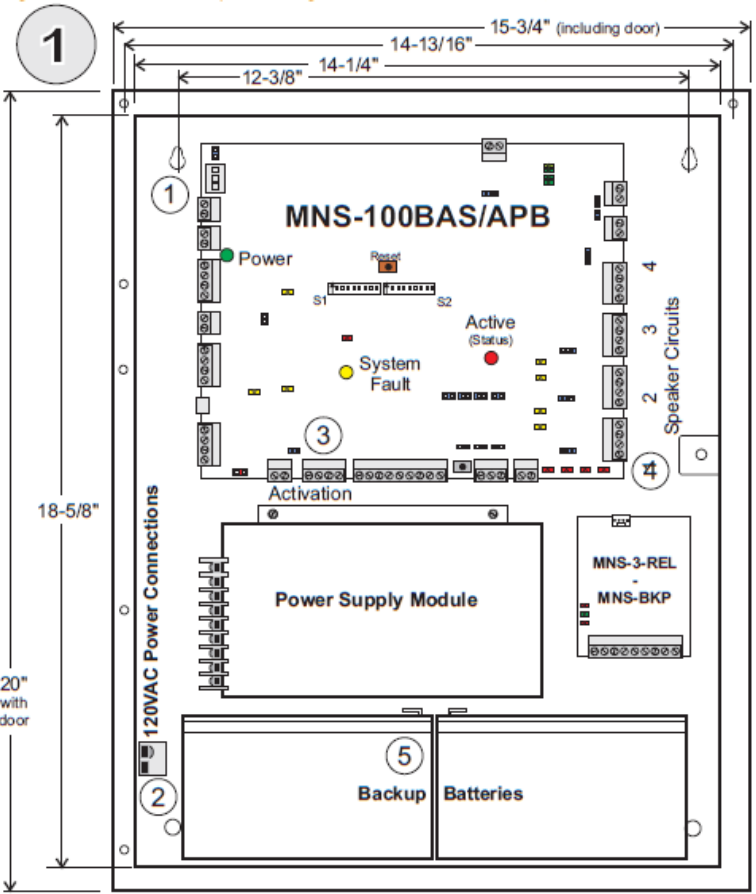


# Voice Evacuation Installation Manual Sheet



## Optional / Alternative Connections

**Active 'Status' Indicator**

# Flashes	Status
1	AC Fail
2	Low / No Battery
3	Amplifier Fault
4	Charger Fail
5	Ground or J5 Fault
6	Audio Fault
7	I <sup>2</sup> C Fault
8	LOC Fault
9	Message Time-out
10	Input board Fault
11	Serial Connection Fault
Steady	System Active

Status Flashes may be system dependent (Section 7)

