

## RELAY DUAL OUTPUT WITH SCI

## VDOT-DOP-SCI

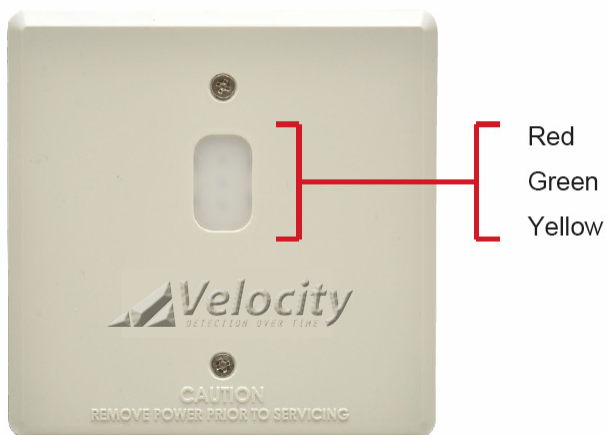


### Description

VDOT-DOP-SCI Dual Output Module with Short Circuit Isolator is an addressable dual output module that provides two dry contacts. The contact rating is 2 A at 30 VDC. The status of each dry contact is monitored and controlled by a control panel.

### Indicator

This module has three colored LED to indicate the status of Output, Polling and SCI.



Output :Red  
Polling :Green  
SCI :Yellow

### Features

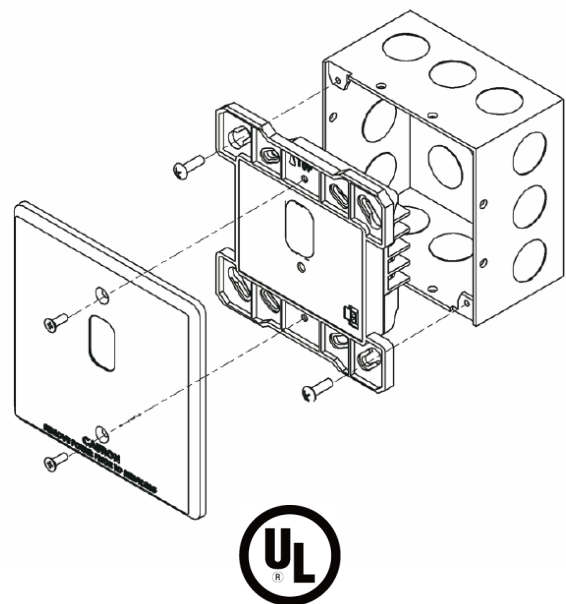
- Two Form-C relay contacts.
- Switching capacity 2A@30VDC each.
- SCI Function.
- Status indicator LED.
- Address settable from 001 to 254 by a dedicated programmer.
- Single loop address.
- Low standby current (0.6mA).
- SEMS screws for easy wiring.
- Mounts to optional 4-inch square electrical box.

### SCI Function

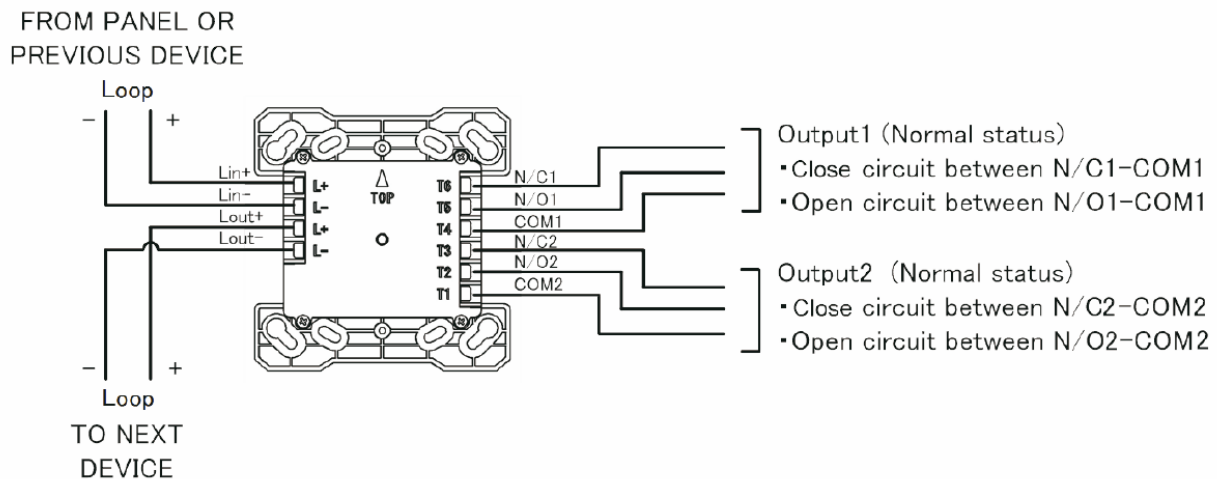
The module has a built-in short circuit isolator. SCI circuit prevents entire loop failure in the event of a short between L+ and L- on the loop.

### Mounting

The module can be mounted directly to optional 4-inch square electrical box. The box must have a minimum depth of 2 1/8 inches.



## Wiring



Relay Module contains two isolated sets of Form-C contacts, which operate as a DPDT switch. The module allows the control panel to switch these contacts on command. No supervision is provided for the relay contacts.

## Specifications

Specifications	VDOT-DOP-SCI
SLC Applied Voltage	Rated Range 20 to 38 VDC
SLC Current Consumption	Standby 0.6 mA Activated 3.3 mA (max)
SLC Line Impedance	Up to 50 $\Omega$
Relay (Programmable)	Switching Capacity 2 A@ 30 VDC
SCI On Resistance	0.2 $\Omega$ (max)
SCI Fault Detection Threshold	10 V (min)
SCI Isolation Current	22 mA (max)
Visual Indicator (Status LED)	Polling LED (GREEN) Output LED (RED) SCI LED (YELLOW)
Ambient Installation Temperature	0 °C to 49 °C (32 °F to 120 °F)
Storage Temperature	-20 °C to 60 °C (-4 °F to 140 °F)
Max Relative Humidity	Up to 93 % RH, non-condensing
Environment	Indoor dry use only
Max quantity per loop	127 units
Terminal	Screw AWG12 to 22
Address Setting	VDOT-AD2 Address Programmer
Dimensions	H 124 mm x W 124 mm x D 34.5 mm (4.882" H x 4.882" W x 1.358" D) (Mount to a 4" square by 2 1/8" deep)
Weight	Approximately 167 g
Standard	UL864

All specifications are subject to change without any notice.  
For more information, contact with VELOCITY.



Zeta Alarms Limited  
72-78 Morfa Road, Swansea  
SA1 2EN  
Tel: +44 1792 455 175 FAX: +44 1792 455 176

Distributed By