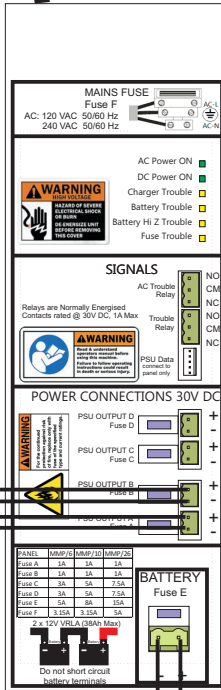
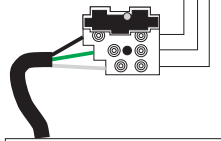
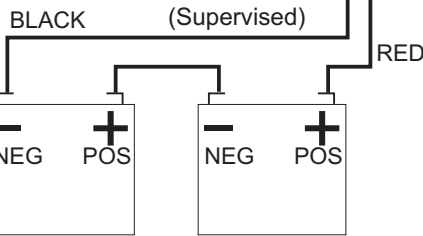


NEUTRAL (White)  
 EARTH GROUND (Green)  
 HOT / LIVE (Black)  
 (Supervised)

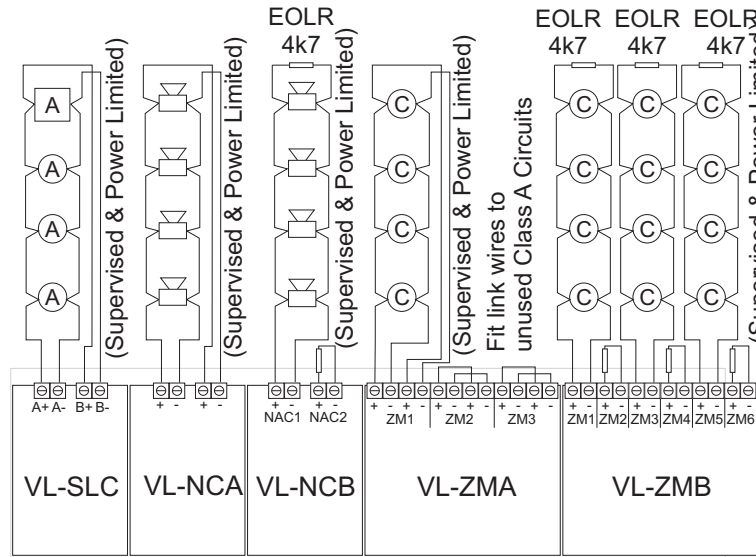


AUX POWER B  
 Regulated 28V DC @ 1A

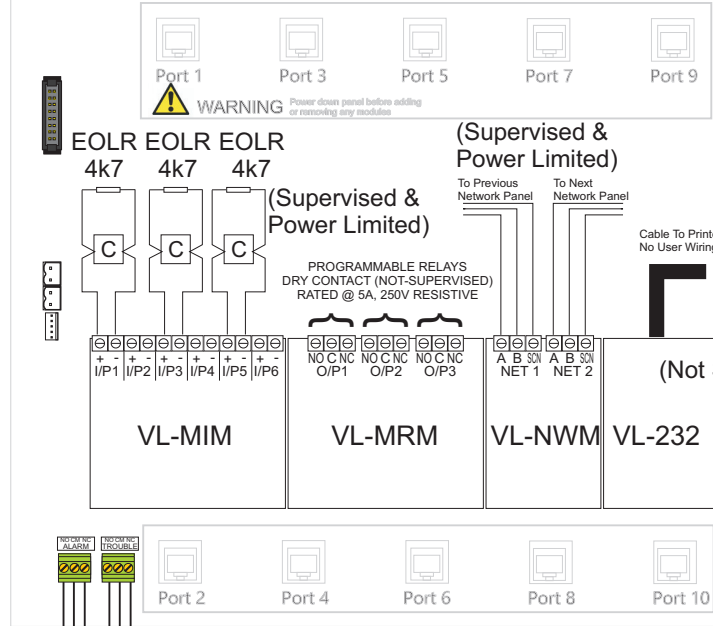
AUX POWER A  
 Regulated 28V DC @ 1A



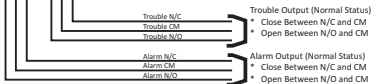
BATTERY CABLE: OBSERVE POLARITY  
 RED +  
 BLACK -



Fit End Of Line Resistors to unused Class B Circuits



(Not Supervised)



- (A) Addressable Initiating Device
- (A) Addressable Interface
- (A) Notification Appliance
- (C) Conventional Pull Station / Call point
- (C) Dry Contact Switch / Relay

NOTE: The MMP panel is a modular system, where any module can be connected to any expansion port. The above diagram gives an example configuration for illustrative purposes.

NOTES: 1. All Dimensions in mm.	
Cont.No: N/A	Zeta Alarms Ltd
Project: VL-MMP	72/78 Morfa Road, Swansea. SA1 2EN
Client: Zeta	Office of Issue
Date: 10/6/2020	Swansea
Scale: NTS	TITLE: Velocity MMP Typical Wiring Diagram
Drawn by: N.R.P.J.	Checked by:
Checked by:	DRWG NO: GLT-261-7-99
Disk/File Ref:	Rev: 0