

**Introduction**

The ZT-SSPK24WLP is a high quality speaker/strobe. The high intensity strobe utilizes a Xenon flash tube that generates a high-intensity flash visible from all angles. The ZT-SSPK24WLP is provided with a turn dial which allows for candela selection at the installation site; 15Cd, 30Cd, 60Cd, 75Cd, or 110Cd. This appliance is ideal for any occupancy that requires notification appliances per the applicable building or fire code or wherever dependable alarms are required.

The ZT-SSPK24WLP speaker/strobe is listed in compliance with ANSI/UL 1971, Signaling Appliances for the Hearing Impaired.

**Product Information**

The ZT-SSPK24WLP Series speaker/strobe offer a choice of field selectable power taps, 1/8, 1/4, 1/2, 1, 2 and 4 Watts for use with either 25VRMS or 70.7VRMS audio amplifiers. The frequency range of the speakers is 400-4000Hz. All devices are suitable for line supervision. Speaker includes DC blocking capacitor which allows for supervision voltage of either polarity.

**Location**

This appliance is intended for use in fire alarm systems and is to be installed in accordance with this manual, the recommendation of the local authorities having jurisdiction, and other NFPA documents that provide standards on notification appliances for protective signaling systems.

The ZT-SSPK24WLP is intended for indoor installations only; this appliance is not listed for outdoor or drip proof applications. The ZT-WSSPK24-15/75W, are intended for indoor or outdoor installations; this appliance is listed for outdoor or drip proof applications when used in conjunction with the GBLP back box.

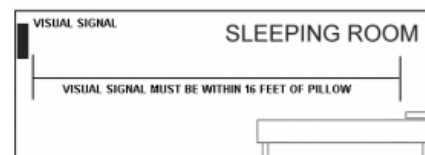
**⚠ WARNING** Visual signal must be installed within 16 feet of the pillow when used in a sleeping area.

**⚠ WARNING** Visual signal must be in the direct viewing area of the occupant in order to be seen.

**⚠ WARNING** Visual signal can not be seen when objects such as doors, furniture or walls block visual signal.

**NOTICE:** VISUAL SIGNALS FOR THE HEARING IMPAIRED ARE ONLY ONE METHOD OF ALERTING THE HEARING IMPAIRED. VISUAL SIGNALS MAY NOT BE THE PREFERRED METHOD FOR NOTIFYING ALL HEARING IMPAIRED INDIVIDUALS.

**NOTICE:** THE VISUAL SIGNAL MUST BE SEEN BY THE SLEEPING PERSON. IF THE PERSON HAS HEAD TURNED OR OTHERWISE UNABLE TO BE ALERTED BY VISUAL, THE VISUAL SIGNAL WILL NOT BE EFFECTIVE.



**⚠ WARNING** Visual Signal should **NEVER** be relied upon as the primary fire alert for the hearing impaired under these common sense conditions:

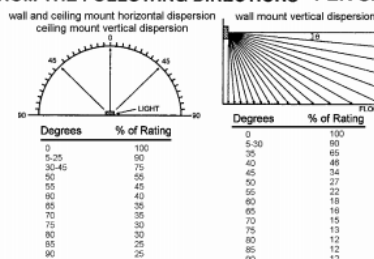
- a. Sleeping face down on the bedding or pillow
- b. Use of sleep medications of any kind
- c. Use of alcoholic beverages or recreational drugs
- d. Use of eye shades
- e. If there are tendencies of deep sleep conditions
- f. If a fire cuts power to AC circuits, the visual signal will not operate
- g. If person is not within line of sight of visual signals

Under these and other similar common situations an alternate fire alert method such as a non-hearing impaired attendant is needed. The visual signal only increases the chance of being alerted to the presence of fire. No system of this type can fully protect the hearing impaired in case of fire.

Room Spacing for Wall-Mounted Visible Appliances per NFPA 72, 2013 Edition			
Maximum Room Size		Minimum Required Light Output ( Effective Intensity, Cd)	
Meters	Feet	One Light per Room	Four Lights per Room (One Light per Wall)
6.10 x 6.10	20 x 20	15	NA
8.53 x 8.53	28 x 28	30	NA
9.14 x 9.14	30 x 30	34	NA
12.2 x 12.2	40 x 40	60	15
13.7 x 13.7	45 x 45	75	19
15.2 x 15.2	50 x 50	94	30
16.5 x 16.5	54 x 54	110	30
16.8 x 16.8	55 x 55	115	30
18.3 x 18.3	60 x 60	135	30
19.2 x 19.2	63 x 63	150	37
20.7 x 20.7	68 x 68	177	43
21.3 x 21.3	70 x 70	184	60
24.4 x 24.4	80 x 80	240	60
27.4 x 27.4	90 x 90	304	95
30.5 x 30.5	100 x 100	375	95
33.5 x 33.5	110 x 110	455	135
36.6 x 36.6	120 x 120	540	135
39.6 x 39.6	130 x 130	635	185

NA = Not allowable

**LIGHT OUTPUT IN PERCENTAGE WHEN MEASURED FROM THE FOLLOWING DIRECTIONS - PER UL1971**



**\*\*Effective Intensity Requirements for Sleeping Areas**

Visible Notification Appliance	
Distance from Ceiling to Top of Lens	Intensity
greater than or equal to 24"	110cd
less than 24"	177cd

Electrical Specifications

CLEAR Lens Strobe Current Ratings		
Use with SSPK24WLP Products		
Candela	Regulated 24VDC Max. Operating Current (mA)	Regulated 24VFWR Max. Operating Current (mA)
15	78	113
30	96	135
60	137	186
75	180	245
110	224	313

Field Selectable Power Tap Selection - Reverberant (dBA @ 10ft.)						
Voltage	1/8 Watt	1/4 Watt	1/2 Watt	1 Watt	2 Watt	4 Watt
25 Volts	74.6	77.7	80.5	83.1	85.6	87.9
70.7 Volts	73.7	76.7	79.6	82.5	85.4	87.9

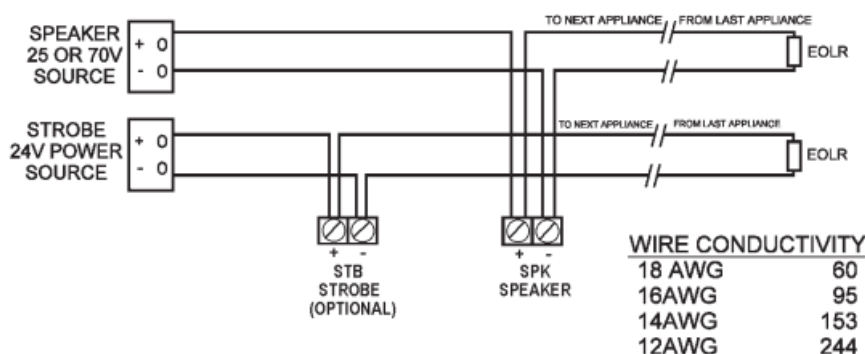
**NOTICE:** DC VOLTAGE RANGE LIMITS: 16-33V. FWR VOLTAGE RANGE LIMITS: 16-33V. THIS PRODUCT WAS ONLY TESTED TO THE STATED VOLTAGE RANGE(S); DO NOT APPLY 80% AND 110% OF THIS RANGE FOR SYSTEM OPERATION.

System Considerations

1. To select the proper wattage input for the speaker, move the jumper to the appropriate pin.
2. Always maintain electrical isolation between speaker and strobe wiring on combination units.
3. Do not exceed 130% of rated speaker voltage. If excessive distortion is heard, check amplifier for signal clipping. If clipping exists, reduce either amplifier input or gain.
4. Four screws are provided, two for securing speaker to the back box and two for aesthetics. The two non-functional screws will be held in place by the pressure fit of the faceplate.

**CAUTION:** WHEN INSTALLING, ROUTE FIELD WIRING AWAY FROM SHARP PROJECTIONS, CORNERS AND INTERNAL COMPONENTS.

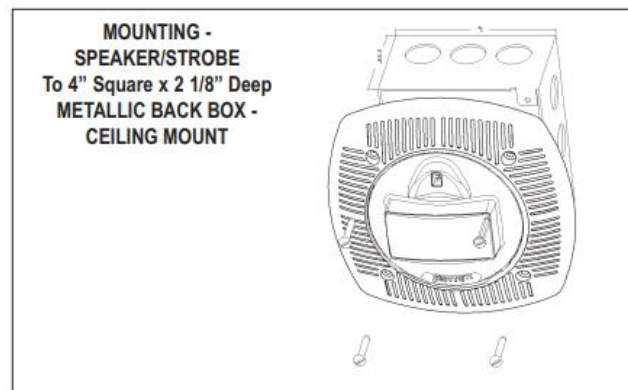
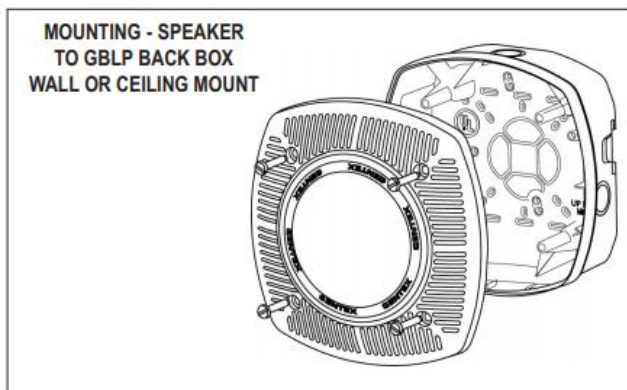
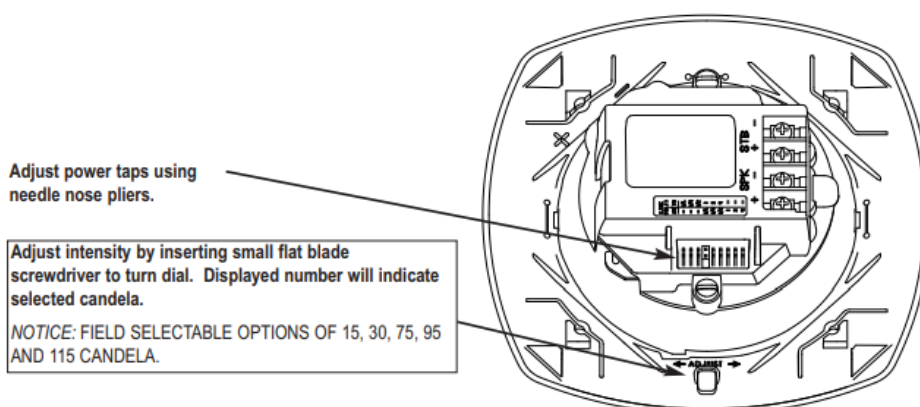
**NOTICE:** DO NOT USE LOOPED WIRE UNDER TERMINALS. BREAK WIRE RUN TO PROVIDE SUPERVISION OF CONNECTION.



$$* \text{MAX. WIRE DISTANCE (IN FEET)} = \frac{\text{PANEL VOLTAGE} - \text{DEVICE MINIMUM VOLTAGE}}{\text{TOTAL CURRENT DRAW}} \times \text{WIRE CONDUCTIVITY (STROBE ONLY)}$$

\* INCLUDES WIRE TO AND FROM APPLIANCE.  
 ASSUMES ALL APPLIANCES ARE AT THE END OF WIRE RUN (WORST CASE).  
**CAUTION:** APPLIES ONLY TO REGULATED SUPPLIES.

**NOTICE:** ALL STROBES ARE DESIGNED TO FLASH AS SPECIFIED WITH CONTINUOUS APPLIED VOLTAGE. THIS APPLIANCE IS NOT RECOMMENDED FOR USE ON CODED OR PULSING SIGNALING CIRCUITS. HOWEVER, USE OF THE AVSM CONTROL MODULE IS PERMITTED TO SYNCHRONIZE THE STROBE.

**Mounting Rough-In Box & Run Wiring**

**SSPKCLP FIELD SELECTABLE CANDELA SELECTOR**

**Checkout & Troubleshooting**

1. Supply power to the system control panel. The auxiliary signaling device should not be activated.
2. If the signal is activated: a. Check all smoke and fire detectors in the system to make sure they have not been activated. b. Check all wiring connections to make sure the signal detection circuits are not reversed or shorted together. Check wire color codes and traces.
3. To test the SSPKCLP Series and other signaling appliances, trip the auxiliary panel, activate alarm circuit at the main control panel or activate one of the fire detection units in the system. All auxiliary signals should be activated. 4. An operational test on this product should be conducted in accordance with National Standards or at a minimum annually and more often if dictated by local and state codes or authorities having jurisdiction.

**SIGNALING APPLIANCE LIMITATIONS:** Your speaker meets or exceeds current audibility requirements of Underwriters Laboratories. However, if the appliance is located outside a bedroom it may not wake up a sound sleeper, especially if the room door is closed or only partially open.


**WARNING**

*THIS APPLIANCE WILL NOT OPERATE WITHOUT ELECTRICAL POWER. AS FIRES FREQUENTLY CAUSE POWER INTERRUPTIONS, PLEASE DISCUSS FURTHER SAFEGUARDS WITH YOUR LOCAL FIRE PROTECTION SPECIALIST.*

**Limited Warranty**

Velocity Detection over Time Zeta Alarms Ltd declares that this product is free from defects in material and workmanship and it will repair or replace any product or part thereof which proves to be defective in workmanship or material for a period of twelve (12) months from the date of purchase but not to exceed eighteen (18) months from the date of manufacture.

Please contact Velocity Detection over Time Zeta Alarms Ltd directly for a return merchandise authorization (RMA) number before returning goods under warranty. Shipment must be prepaid and Velocity Detection over Time Zeta Alarms Ltd will repair or replace the product if the failure was caused by a manufacturing defect.