

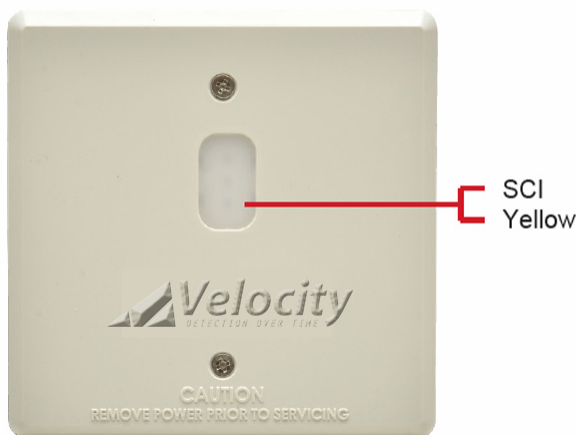
SHORT CIRCUIT ISOLATOR

VDOT-SCI



Description

VDOT-SCI Short Circuit Isolator is a short circuit isolator module that prevents an entire loop failure in the event of a short in the loop. If a short is detected the yellow LED indicator illuminates, and the shortcircuited area is isolated automatically. Upon removal of the short condition, the module automatically connects the area to restore the entire loop to the normal operating status. This module is not addressable.

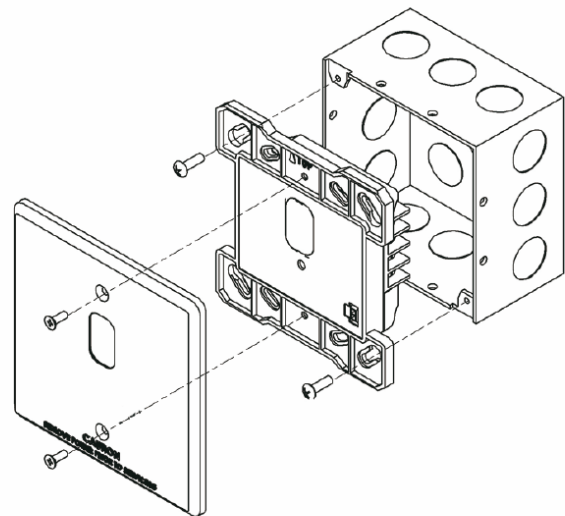


Features

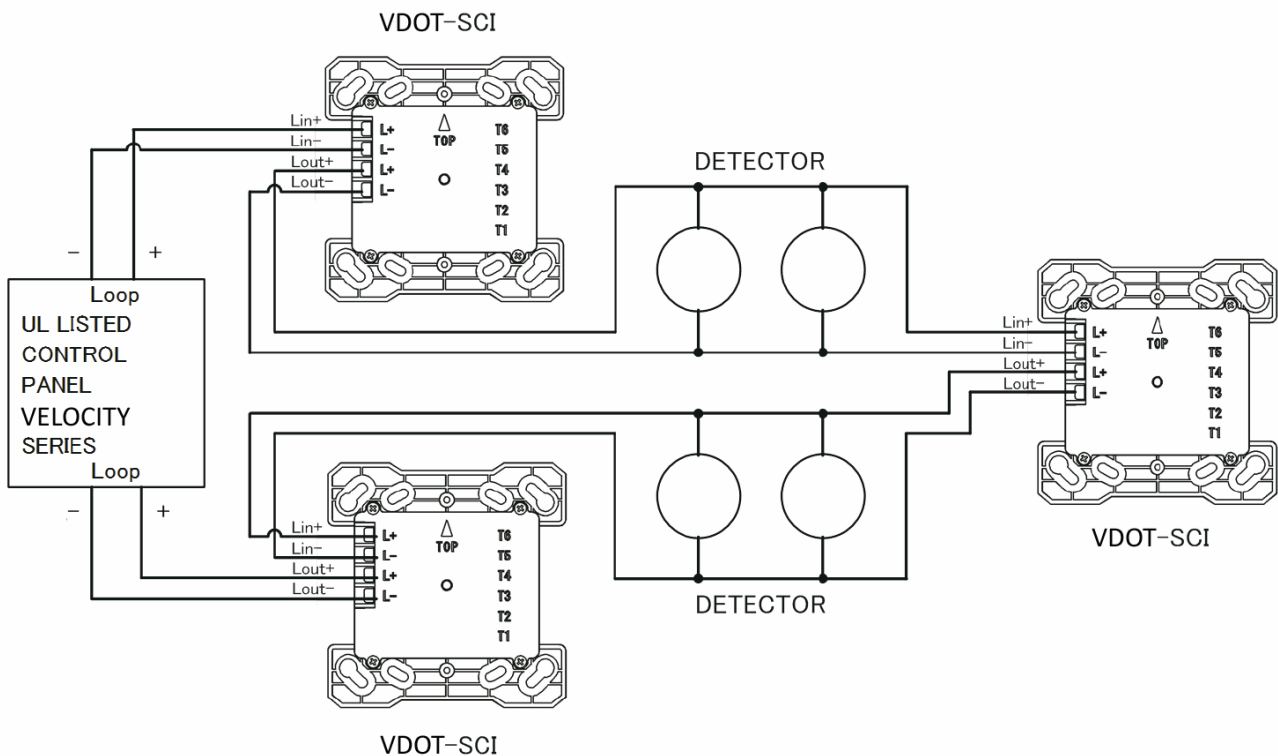
- Loop powered.
- Provides two interfaces to NC/NO contact devices.
- SCI function.
- Supports Class A and Class B wiring.
- Status indicator LED.
- Address settable from 001 to 254 by a dedicated programmer.
- Single loop address.
- Low standby current (3mA).
- Mounts to optional 4-inch square junction box.

Mounting

This module can be mounted directly to 4-inch square electrical box.



Wiring



Specification

Specifications	VDOT-SCI
SLC Applied Voltage	Rated Range 20 to 38 VDC
SLC Current Consumption	Standby 100 μ A Activated 22 mA (SCI Isolation)
SLC Line Impedance	Up to 50 Ω
SCI On Resistance	0.2 Ω (max)
SCI Fault Detection Threshold	10 V (min)
IDC Line Impedance	Up to 50 Ω
Visual Indicator (Status LED)	SCI LED (YELLOW)
Ambient Installation Temperature	0 °C to 49 °C (32 °F to 120 °F)
Storage Temperature	-20 °C to 60 °C (-4 °F to 140 °F)
Max Relative Humidity	Up to 93 % RH, Non-Condensing
Environment	Indoor dry use only
Terminal	Screw AWG12 to 22
Dimensions	H 124 mm x W 124 mm x D 34.5 mm (4.882" H x 4.882" W x 1.358" D) (Mount to a 4" square by 2 1/8" deep box)
Weight	Approximately 139 g
Standard	UL864

All specifications are subject to change without any notice.
For more information, contact with VELOCITY.



Zeta Alarms Limited
72-78 Morfa Road, Swansea
SA1 2EN
Tel: +44 1792 455 175 FAX: +44 1792 455 176

Distributed By