

RS232 Module

VL-232

▪ Description

The plug-in RS232 module will give a velocity panel the ability to interface to RS232 serial equipment and devices. This is most commonly used to connect the Velocity MMP to an RS232 panel printer, or a desktop printer for real time event log printing. The module also has a 5V aux output that is used to provide power to the panel's internal printer.



▪ Features

- Designed to meet UL864 10th edition requirements.
- Use to interface to RS232 devices.
- 5V aux output (for use with panel printer only).
- Extensive front unit indications (see table below).
- Quick and easy to install by plugging the RJ45 cable into the module and control panel (cable supplied with unit).

▪ Dimensions



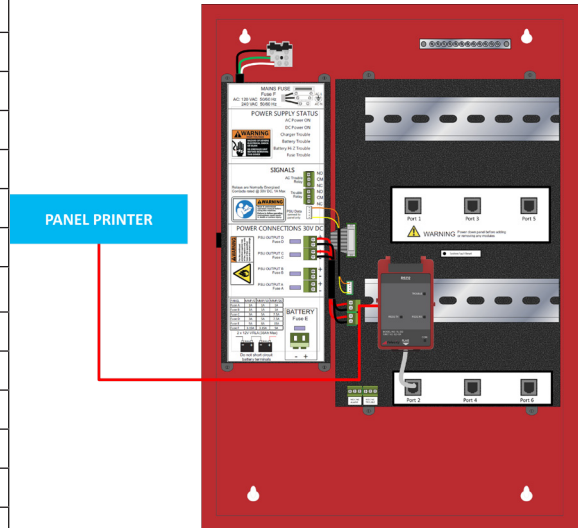
▪ Front Unit Indications

LED Indication	Description
Trouble (Yellow)	Flashing yellow when a fault on the RS232 circuit is detected.
RS232 TX (Green)	Flashing Green when the RS232 is transmitting information.
RS232 RX (Green)	Flashing Green when the RS232 is receiving information.
Com. (Green)	Pulses to show communication between the module and the motherboard.

▪ Specification

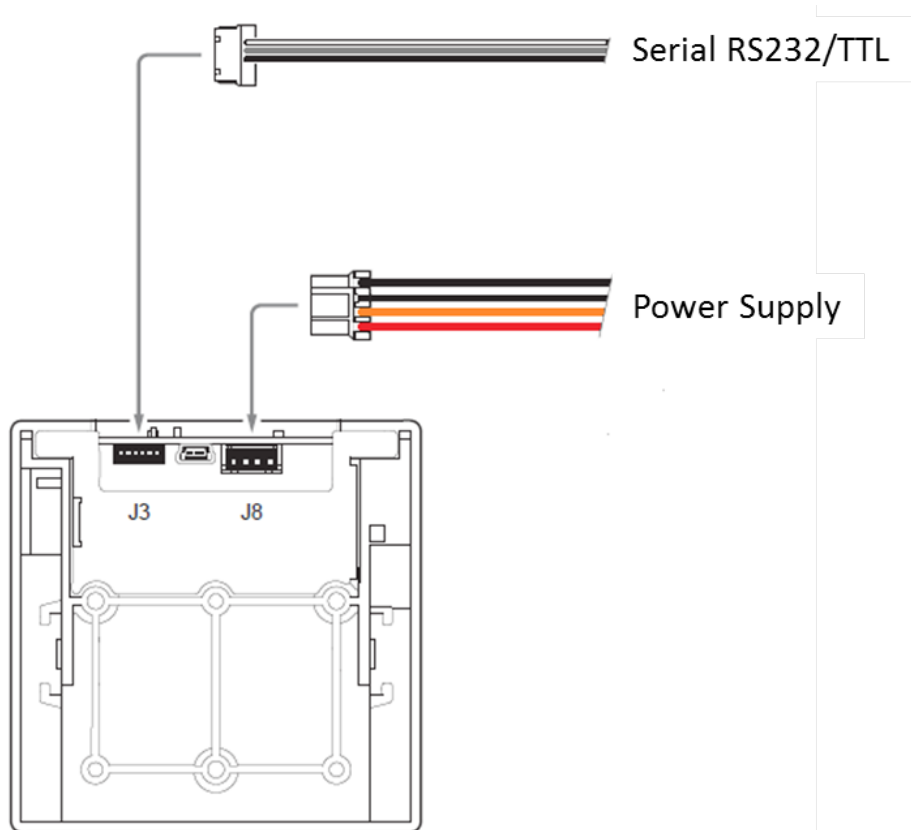
Specification	VL-232
Part Number	62-434
Design Standard	UL864 10th Edition
Approval	UL Laboratories
Communication Protocol	RS232
Connection	Serial Port
Baud Rate	9600
Data Bits	8
Parity	None
Stop Bits	1
Operating Temperature	0°C (32°F) to 49°C (120°F)
Max Humidity	95% Non-Condensing
Size (mm)	105mm x 57mm x 47mm
Weight	0.15KG
Compatible Devices	CUSTOM PLUS2 Panel Printer

▪ Interior Panel View



▪ Typical Wiring Diagram

(For more information on wiring, please refer to the VL-232 installation guide. (Doc: _____))



All specifications are subject to change without any notice. For more information, contact with VELOCITY.



Zeta Alarms Limited
 72-78 Morfa Road, Swansea
 SA1 2EN
 Tel: +44 1792 455 175 FAX: +44 1792 455 176

Distributed By