

VDOT-WGES / VDOT-WGEC Series

OUTDOOR , WALL MOUNTED, SOUNDERS & SOUNDER / STROBES



■ Key Features

- Nominal Voltage 24 VDC.
- Fixed 75 Candela.
- GOE Unit Dimensions: 5.84" (14.83 cm) high x 4.81" (12.22 cm) wide x 4.22" (10.72 cm) deep.
- GOELP Unit Dimensions: 5.84" (14.83 cm) high x 4.81" (12.22 cm) wide x 3.25" (8.255 cm) deep.
- Super-Slide® - Ease of Supervision Testing.
- Checkmate® Instant Voltage Verification.
- Prewire entire system, install mounting bracket, then install signals.
- Input terminals accept 12 to 18 AWG.
- Horn/strobe switch selection for high or low dBA.
- Horn/strobe switch for 2400 Hz, mechanical, chime and whoop tones.
- Horn/strobe switch for continuous or temporal 3 (not available on whoop tone).
- Synchronize strobe and/or horn by using Gentex AVSM Control Module.
- Silence audible while visual appliance will remain flashing.
- Tamperproof re-entrant grill and locking screw (optional use).
- GOE/GOELP made of clear Lexan® - provides maximum visibility and reliability for effective visible signaling - allowing full 75cd output.
- Faceplate available in red or off-white.
- Wall mount.

■ Description

The Outdoor Commander Series is a outdoor listed strobe and horn/strobe combination that offers dependable visible and/or audible alarms for all outdoor needs.

The VDOT-WGE Series offers a fixed 75 candela strobe. The VDOT-WGEC horn/strobe offers a continuous or synchable temporal 3 in 2400Hz, mechanical and chime as well as a whoop tone. All tones are easy for the professional to change in the field by the use of switches.

Included with the VDOT-WGE Series is the GOE or GOELP outdoor enclosure. The enclosure is made of high quality Lexan® material, providing protection from weather related conditions and allowing the necessary full candela output. This highly constructed enclosure meets various installation requirements including deterring moisture from entering the enclosures.

The Outdoor Commander Series is equipped with a standard 4" mounting plate which incorporates the Super-Slide® feature that allows the installer to easily test for supervision. The product also features a locking mechanism which secures the product to the bracket without any screws showing. The VDOT-WGE Series also features the Checkmate® instant voltage verification feature which allows the installer to check the voltage drop draw and match it to the blueprint.

The VDOT-WGE Series appliances are ANSI/UL 464, ANSI/UL 1638, CAN/ULC S525 and/or CAN/ULC S526 listed for use with fire protective systems and are warranted for three years from date of purchase.

■ Product Compliance

- NFPA 72
- Americans with Disabilities Act (ADA)
- IBC/IFC/IRC
- Quality Management System is certified to: ISO 9001:2008

VDOT-WGES24 Evacuation Outdoor Strobe

Model	Part Number	Voltage (VDC)	Candela
VDOT-WGES24-75WR	TBC	24	75
VDOT-WGES24-75WW	TBC	24	75

VDOT-WGEC24 Evacuation Outdoor Horn/Strobe

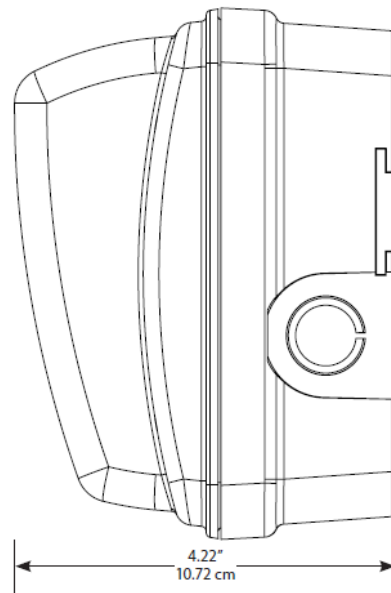
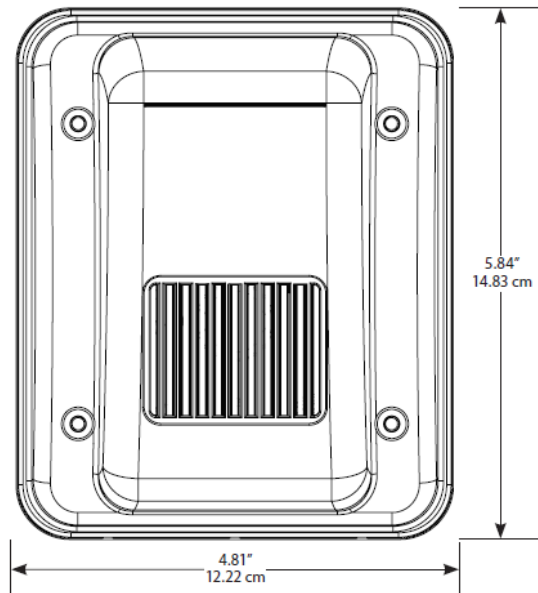
Model	Part Number	Voltage (VDC)	Candela	Reverberant dBA at 10ft.	Anechoic Room dBA at 10ft.
VDOT-WGEC24-75WR	TBC	24	75	70-82 dBA	100 dBA
VDOT-WGEC24-75WW	TBC	24	75	70-82 dBA	100 dBA

R = Red Faceplate, W = White Faceplate

VDOT-WGE 24 VDC Horn Decibel (dBA) and Current Ratings (mA)

Horn Mode	Horn Decibel Levels (dBA)		Horn Current Ratings (mA)
	Minimum SPL at 10ft. per ANSI/UL 464 (HIGH)	Minimum SPL at 10ft. per ANSI/UL 464 (LOW)	UL MAX Regulated 24 VDC Operating Current (HIGH)
Temp 2 2400Hz	78 dBA	71 dBA*	28 mA
Temp 3 Mechanical	76 dBA	70 dBA*	25 mA
Temp 3 Chime	70 dBA*	66 dBA*	15 mA
Continuous 2400Hz	81 dBA	74 dBA*	28 mA
Continuous Mechanical	80 dBA	72 dBA*	25 mA
Continuous Chime	70 dBA*	66 dBA*	15 mA
Whoop	82 dBA	69 dBA*	56 mA

- Operating the horn in this mode at this voltage will result in not meeting the minimum ANSI/UL 464 reverberant sound level required for public mode fire protection service. These settings are acceptable only for private mode fire alarm use. Use the high dBA setting for public mode application (not applicable when using the chime tone. The chime tone is always private mode).



Velocity Super-Slide® Mounting Bracket

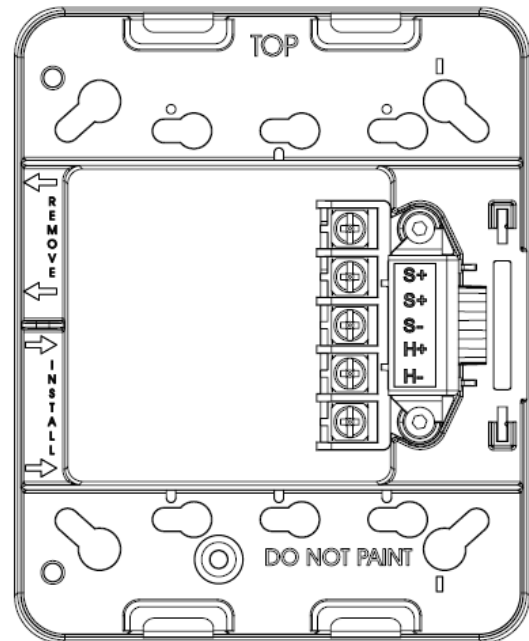
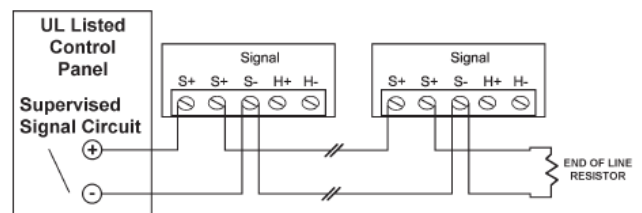
Allows the installer to prewire the system, test for system supervision, remove the signal head until occupancy, switch out Gentex signals without changing mounting brackets and has locking edge connector for snap-in-place installation.

Velocity Checkmate® Instant Voltage Verification

It is often necessary to confirm the voltage drop along a line of devices. The access holes are provided in the back of the terminal block to allow the voltage to be measured directly without removing the device. Typically this would be done at the end of the line to confirm design criteria. Most measurements will be taken using the S+ and S- locations although access is provided to other locations. Notice: Care should be taken to not short the test probes.

Notes

- The WGE Series is listed for outdoor use. Indoor operating temperature: 32° to 120°F (0° to 49°C). Outdoor operating temperature: -31° to 150°F (-35° to 66°C)
- For nominal and peak current across ANSI/UL regulated voltage range for filtered DC power and unfiltered (FWR [Full Wave Rectified]) power, see installation manual
- The sound output for the temporal 3 tone is rated lower since the time the horn is off is averaged into the sound output rating. While the horn is producing a tone in the temporal 3 mode, its sound pressure is the same as the continuous mode.
- This appliance is not recommended for use on coded or pulsing signaling circuits



All specifications are subject to change without any notice.
For more information, contact with VELOCITY.



Zeta Alarms Limited
72-78 Morfa Road, Swansea
SA1 2EN
Tel: +44 1792 455 175 FAX: +44 1792 455 176

Distributed By

<http://www.velocitydetection.com>

GLT-3... Rev.0